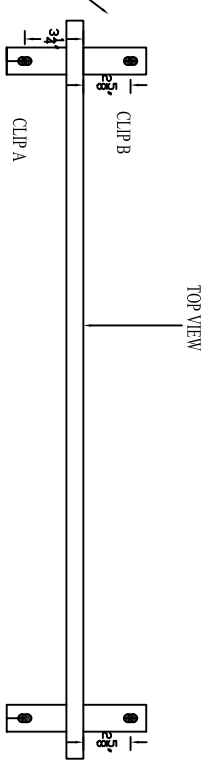
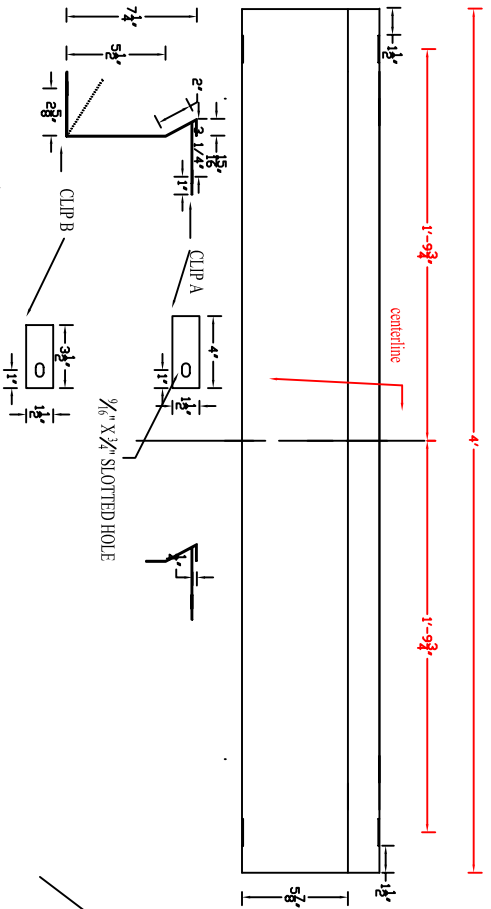


Product Code 48CL-STEEL  
 48" 14 GAUGE STEEL CLOSED RISER POWDER COATED GREY  
 Camp Logan Cement Works Inc.  
 www.camplogancement.com  
 800-445-9062  
 clew@camplogancement.com

CLOSE RISER

Camp Logan's closed riser are subjected to a through cleaning and zinc-phosphate pretreatment. And they undergo an extensive and proven multi-step powder coating process, including a polyester powder coating, to provide a beautiful scratch and scuff resistant, anti-rust free surface.

- Eliminate hassle of transporting parts
- Environmental accountability
- Help save and managing cost of operations
- Quality finish: Multi stage pretreatment zinc primed and glossy polyester powder coat.
- Standard color gray or black
- Made of high quality 14 gauge steel



**BENDABLE TABS** - ALLOWS FOR RISERS FROM 1/2" - 7" BOLT ON TO STRINGER AND DONE  
**WEIGHT** - WEIGHT OF THE CLOSED RISER IS ABOUT 8 LBS. - 10# LBS OF TREAD WEIGHT  
 (OTHER CLOSED RISER SYSTEMS 100 LBS PER TREAD)

