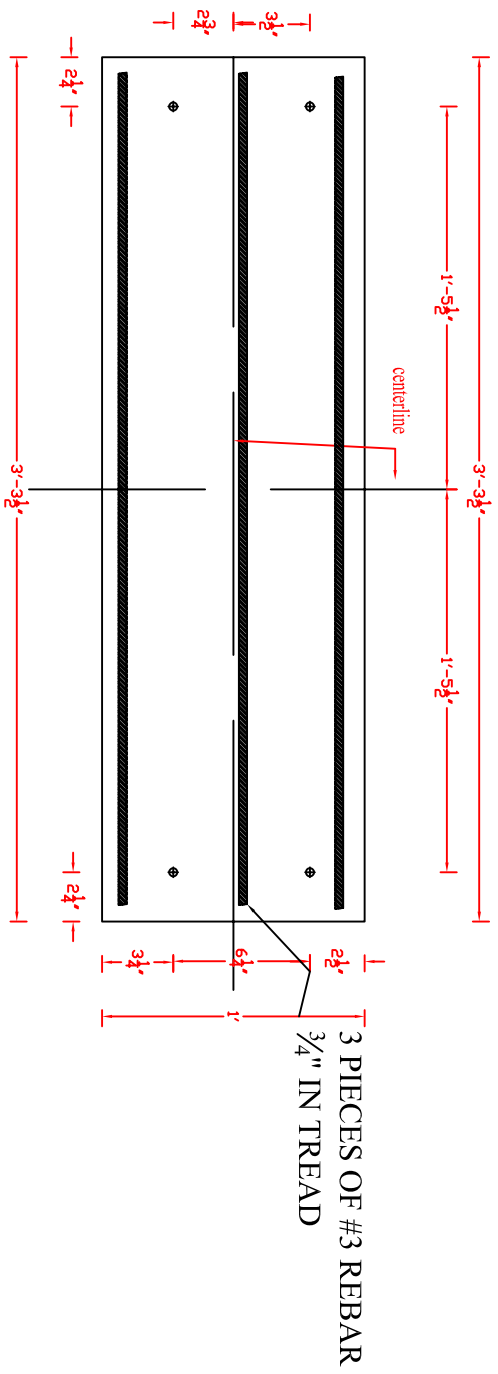
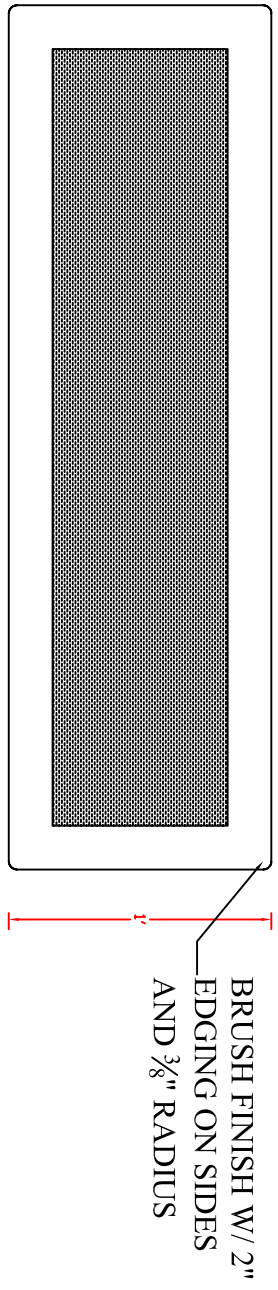


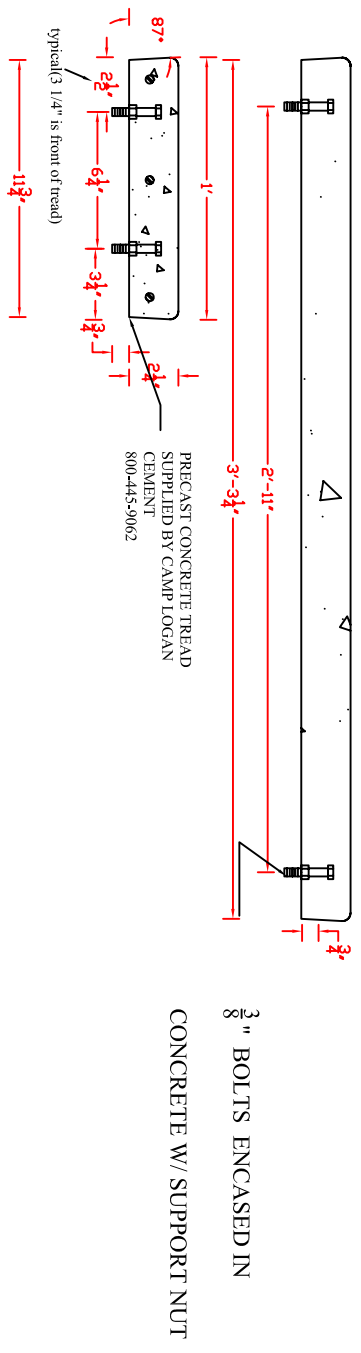
Product Code 12395TB
 12"x39 1-2"x 2 1-4" Step Tread Broom Finish w/ $\frac{3}{8}$ " Bolts
 Camp Logan Cement Works Inc.
www.camplogancement.com
 800-445-9062
clcw@camplogancement.com



3 PIECES OF #3 REBAR
 3/4" IN TREAD



BRUSH FINISH W/ 2" EDGING ON SIDES AND 3/8" RADIUS



3/8" BOLTS ENCASED IN CONCRETE W/ SUPPORT NUT

PRECAST CONCRETE TREAD
 SUPPLIED BY CAMP LOGAN
 800-445-9062